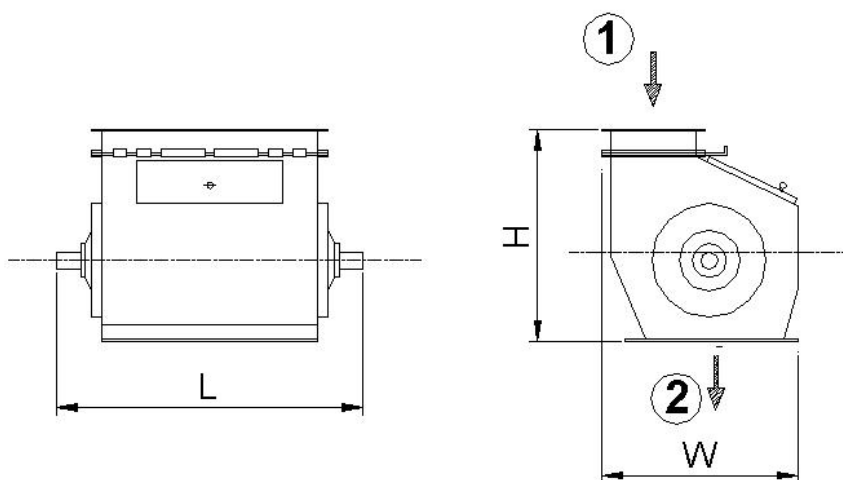




Volume Proportioner Blender TPLR

Type	TRLR 20	TRLR 30
Proportions of six measures	2% 4% 8% 16% 30% 38%	2% 4% 8% 16% 30% 38%
Proportion discern tolerance	≤2%	≤2%
Proportion scope (n)	2--2n (n≤50)	2--2n (n≤50)
Speed scope (r/min)	≤40	≤30
Max capacity (t/h)	14	23
Power (kw)	0.75	0.75
Dimension (mm) L×W×H	780×360×406	780×440×506



① Product inlet

② Product outlet