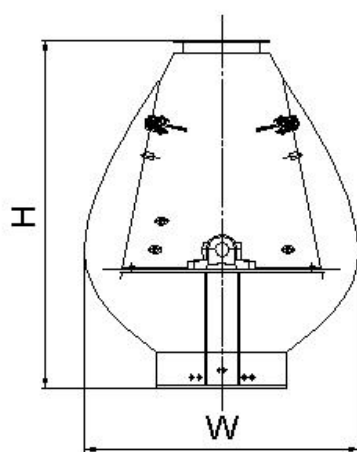


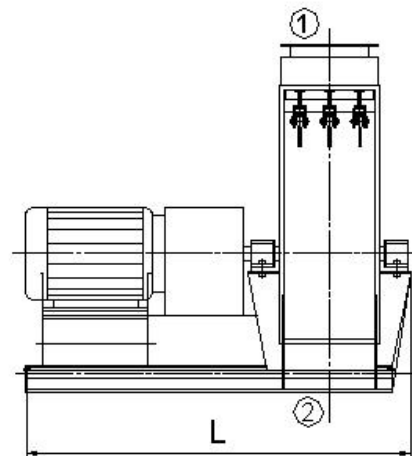


Hammer Mill SDHM

Type	SDHM5	SDHM10	SDHM15	SDHM20
Speed of main shaft (r/min)	2950	2970	2970	1485
Rotor diameter (mm)	708	708	708	1370
No. of beaters	54	72	112	74
Power (kw)	30	75	110	160
Capacity (t/h)	4~5	9~12	14~17	18~20
Dimension (mm) L×W×H	1614×968×1120	1925×968×1120	2545×968×1170	2498×1695×2025



① Product inlet



② Product outlet