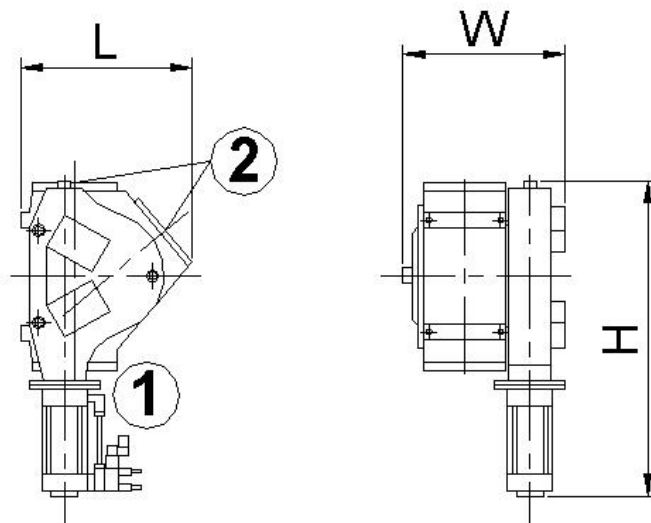




## 2-way Diverter Valve THFX

Type	THFX 6.5×2	THFX 8×2	THFX 10×2	THFX 12×2	THFX 15×2	THFX 18×2
Inside nominal dia. (mm)	65	80	100	125	150	175
Bifurcate degree	50°	50°	50°	50°	50°	50°
Max temperature	100℃	100℃	100℃	100℃	100℃	100℃
Pressure (kpa)	50~400	50~400	50~400	50~400	50~400	50~400
Cylinder dia /length of travel (mm)	50/100	50/100	63/100	80/125	100/125	100/125
Cylinder pressure (Mpa)	0.4~0.6	0.4~0.6	0.4~0.6	0.4~0.6	0.4~0.6	0.4~0.6
Dimension (mm) L×W×H	236×242×572	262.5×260× 572	292×277×585	340×320.5× 698	389.5×358× 713	425.5×380× 713



① Material inlet

② Material outlet