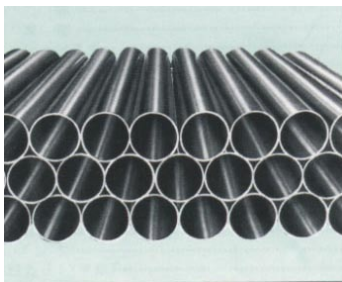


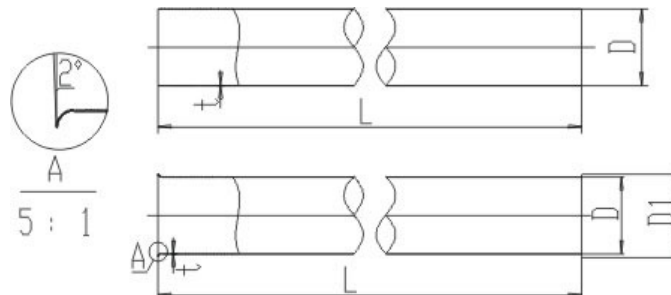
Straight Piping (S) Tapered Piping (TP)

- Cold rolled steel sheet, outer surface with powder coat, inside with nontoxic wearable lining.
- Stainless steel sheet, mirror finish
- Size other than those listed are also available



Straight Piping (S)

Used for the straight portions of a duct path

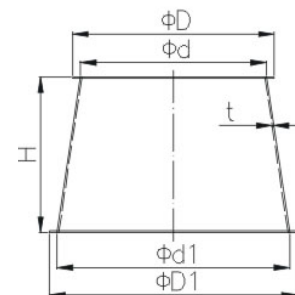


Dimension Product Code	D	DI	L	T
S-120	120	132	1000, 2000	1.0
S-150	150	162	1000, 2000	1.0
S-200	200	212	1000, 2000	1.0



Tapered Piping (TP)

Used to connect duct pipes
 of different diameters

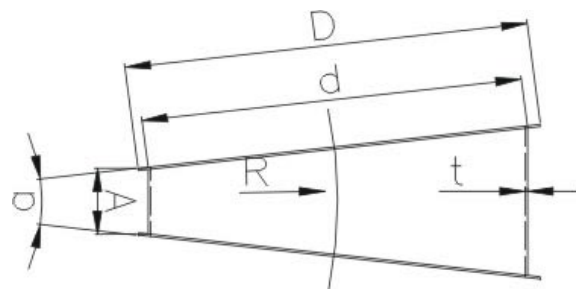


Dimension Product Code	H	d	d1	D	D1	t
TP 10/12	100	100	120	112	132	1.0
TP 12/15	100	120	150	132	162	1.0
TP 15/20	100	150	200	162	212	1.0

Miter Bend Piping (LP)

- Cold rolled steel sheet, outer surface with powder coat, inside with nontoxic wearable lining.
- Stainless steel sheet, mirror finish
- Size other than those listed are also available

Three different angles (10° , 15° , 20°) can be combined freely to create bends of any size.



Miter Bend Piping (LP-10)

$\alpha = 10^\circ$

Dimension	A	d	D	R	t
Product code					
LP 120-10	20	120	132	125	1.0
LP 150-10	30	150	162	175	1.0
LP 200-10	30	200	212	200	1.0



Miter Bend Piping (LP-15)

$\alpha = 15^\circ$

Dimension	A	d	D	R	t
Product code					
LP 120-15	20	120	132	125	1.0
LP 150-15	30	150	162	175	1.0
LP 200-15	30	200	212	200	1.0



Miter Bend Piping (LP-20)

$\alpha = 20^\circ$

Dimension	A	d	D	R	t
Product code					
LP 120-20	20	120	132	125	1.0
LP 150-20	30	150	162	175	1.0
LP 200-20	30	200	212	200	1.0

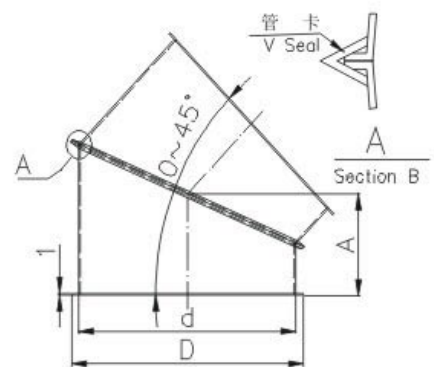
Twin Milter Bend (LPW) Inspection Port (IS)

- Cold rolled steel sheet, outer surface with powder coat, inside with nontoxic wearable lining.
- Stainless steel sheet, mirror finish
- Size other than those listed are also available



Twin Milter Bend (LPW)

Can be adjusted freely to any angle from 0-45, making the most troublesome adjustments easily accomplished



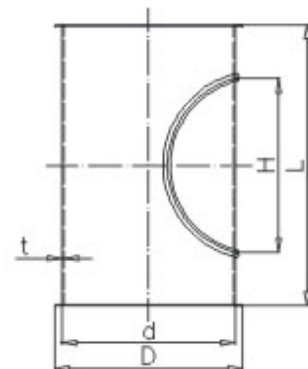
Twin Milter Bend (LPW)

Dimension Product code	A	d	D
LPW-120	57	120	132
LPW-150	63	150	162
LPW-200	70	200	212



Inspection Port (IS)

Allows inspection of the duct path for stock and residue



Inspection Port (IS)

Dimension Product code	d	D	H	L	t
IS-120	60	110	120	132	1.0
IS-150	75	140	150	162	1.0
IS-150	100	180	200	212	1.0

Side-Open Fork (GL) Y-Shaped Fork (GY)

- Cold rolled steel sheet, outer surface with powder coat, inside with nontoxic wearable lining.
- Stainless steel sheet, mirror finish
- Size other than those listed are also available

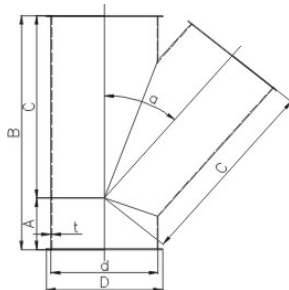


Side-Open Fork (GL)

Used to join two duct paths into a single path

$\alpha = 30^\circ$

Dimension Product code	A	B	C	d	D	t
GL-120	55	355	300	120	132	1.0
GL-150	70	440	370	150	162	1.0
GL-200	90	590	500	200	212	1.0



$\alpha = 40^\circ$

Dimension Product code	A	B	C	d	D	t
GL-120	60	280	220	120	132	1.0
GL-150	75	350	275	150	162	1.0
GL-200	100	465	365	200	212	1.0

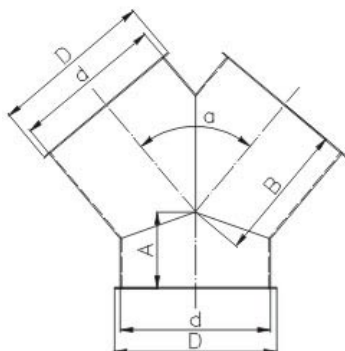


Y-Shaped Fork (GY)

Used in the same fashion as the side-open fork, allows connection of paths at a different angle.

$\alpha = 60^\circ$

Dimension Product code	A	B	d	D	t
GY-120	55	145	120	132	1.0
GY-150	70	180	150	162	1.0
GY-200	90	240	200	212	1.0



$\alpha = 80^\circ$

Dimension Product code	A	B	d	D	t
GY-120	60	110	120	132	1.0
GY-150	75	140	150	162	1.0
GY-200	100	180	200	212	1.0

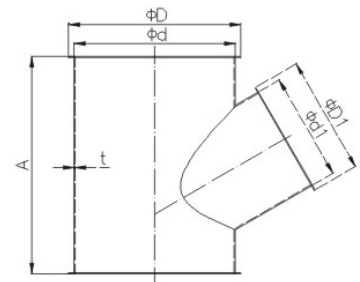
Angled Inspection Port (IL) Inspection Port (IS)

- Cold rolled steel sheet, outer surface with powder coat, inside with nontoxic wearable lining.
- Stainless steel sheet, mirror finish
- Size other than those listed are also available



Angled Inspection Port (IL)

Used in the same manner as the port above, however as this port is angled, care must be given to the direction of flow when installing

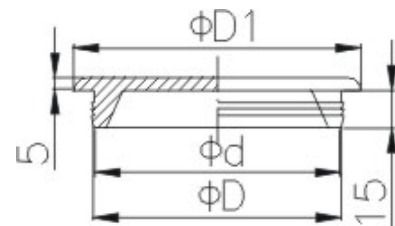


Dimension Product code	d	D	d1	D1	A	t
IL-120	120	132	100	112	200	1.0
IL-150	150	162	120	132	200	1.0
IL-200	200	212	120	132	200	1.0



Inspection Port Cap (RC)

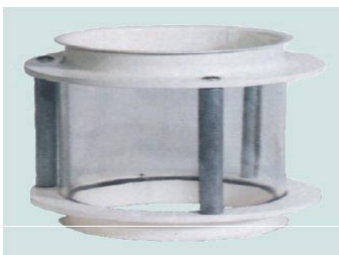
Neoprene rubber.
 Inserted the end of an inspection port



Dimension Product code	d	D	D1
RC-80	80	82	96
RC-100	100	102	116
RC-120	120	122	136

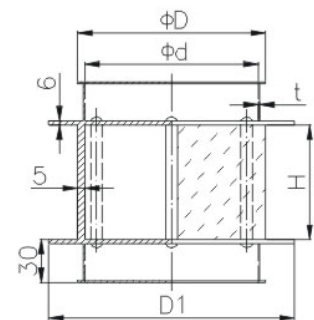
Acrylic Spout (AGS) Floor Spout (FPS)

- Cold rolled steel sheet, outer surface with powder coat, inside with nontoxic wearable lining.
- Stainless steel sheet, mirror finish
- Size other than those listed are also available



Acrylic Spout (AGS)

Particulate matter in the duct path can be checked visually through the acrylic pipe.

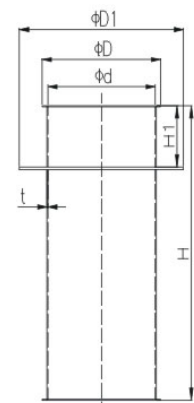


Dimension Product code	d	D	D1	h	t
AGS-120	120	132	180	80,120	1.0
AGS-150	150	162	210	80,120	1.0
AGS-200	200	212	260	80,120	1.0



Tapered Piping (TP)

Used to secure piping to the floor where the duct path passes between floors



Dimension Product code	d	D	D1	H1	H	t
FPS-120	120	132	192	30	240	1.0
FPS-150	150	162	222	30	240	1.0
FPS-200	200	212	272	30	240	1.0

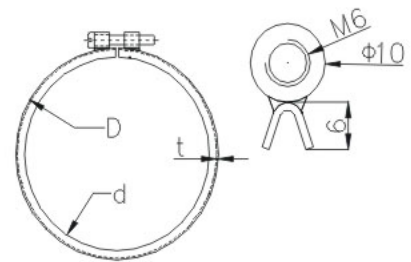
Connecting Band (SB) Spout Flangs (SF)

- Cold rolled steel sheet, outer surface with powder coat, inside with nontoxic wearable lining.
 - Stainless steel sheet, mirror finish
 - Size other than those listed are also available
- Cold rolled steel sheet, outer surface with powder coat, inside with nontoxic wearable lining.
 - Stainless steel sheet, mirror finish
 - Size other than those listed are also available



Connecting Band (SB)

Use without V-seal.
 Appropriate for long paths where extra strength is needed at connections.

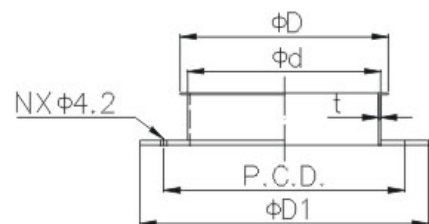


Dimension Product code	d	D2	t
SB-120	123	135	1.0
SB-150	153	165	1.0
SB-200	203	215	1.0
SB-125	128	140	1.0
SB-155	158	70	1.0



Spout Flangs (SF)

Attached to conveyor covers, above round bins, or to tank covers, to connect the duct path to a terminal.



Dimension Product code	d	D	P.C.D	D1	N	t
SF-120	120	132	150	180	3	1.0
SF-150	150	162	180	210	3	1.0
SF-200	200	212	230	260	3	1.0

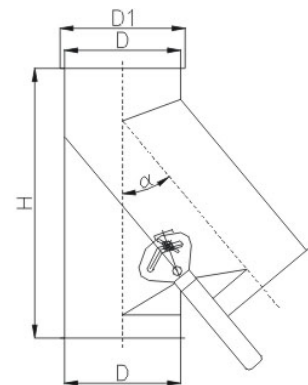
Manual Two-way Valve (CLR) Manual Two-way Valve (CYR)

- Cold rolled steel sheet, outer surface with powder coat, inside with nontoxic wearable lining.
- Stainless steel sheet, mirror finish
- Size other than those listed are also available



Manual Two-way Valve (CLR)

Damper allows switching of direction of flow

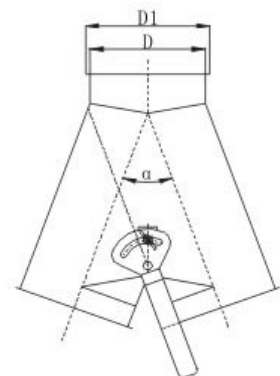


Product code	Dimension	D	D1	H	α	t
CLR-120		120	132	370, 320	30°, 40°	1.0
CLR-150		150	162	445, 380	30°, 40°	1.0
CLR-200		200	212	570, 480	30°, 40°	1.0



Manual Two-way Valve (CYR)

Damper allows switching of direction of flow



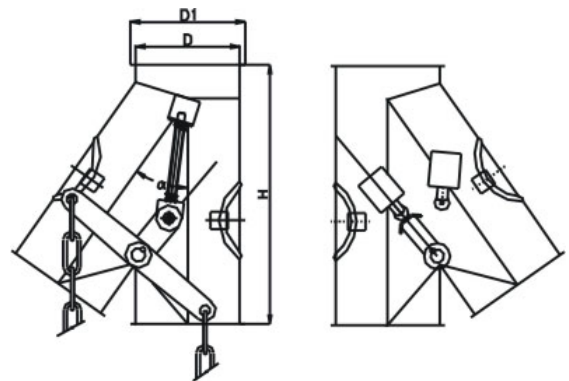
Product code	Dimension	D	D1	α	t
CYR-120		112	132	60°, 80°	1.0
CYR-150		132	162	60°, 80°	1.0
CYR-200		162	212	60°, 80°	1.0

Manual Two-way Valve (ceiling-fitting) (CLRH) (CYRH)

- Cold rolled steel sheet, outer surface with powder coat, inside with nontoxic wearable lining.
- Stainless steel sheet, mirror finish
- Size other than those listed are also available



Damper allows switching of direction of flow, used at higher position, with optional chain

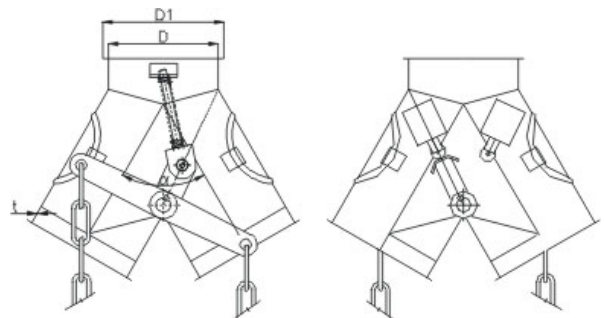


Manual Two-way valve (ceiling-fitting) (CLRH)

Dimension Product code	D	D1	H	α	t
CLRH-120	120	132	370, 320	30°, 40°	1.0
CLRH-150	150	162	445, 380	30°, 40°	1.0
CLRH-200	200	212	570, 480	30°, 40°	1.0



Damper allows switching of direction of flow, used at higher position, with optional chain



Manual Two-way valve (ceiling-fitting) (CYRH)

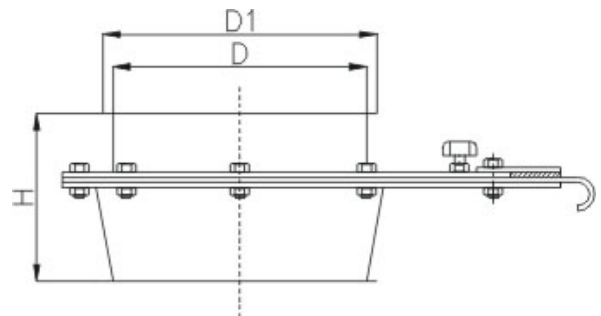
Dimension Product code	D	D1	α	t
CYRH-120	120	132	60°, 80°	1.0
CYRH-150	150	162	60°, 80°	1.0
CYRH-200	200	212	60°, 80°	1.0

Powgate Simple (PGS) Slanting Powgate Simple (SPGS)

- Cold rolled steel sheet, outer surface with powder coat, inside with nontoxic wearable lining.
- Stainless steel sheet, mirror finish
- Size other than those listed are also available



Allows easy adjustment of the flow rate through piping

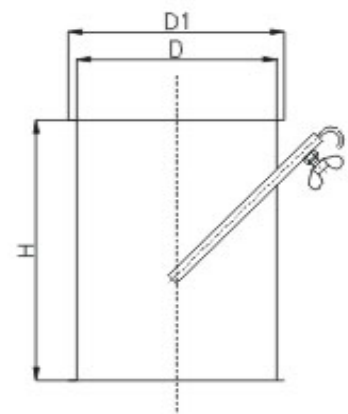


Powgate Simple (PGS)

Dimension Product code	D	D1	H	t
PGS-120	120	132	200	1.0
PGS-150	150	162	200	1.0
PGS-200	200	212	200	1.0



Allows easy adjustment of the flow rate through piping



Slanting Powgate Simple (SPGS)

Dimension Product code	D	D1	H	t
SPGS-120	120	132	200	1.0
SPGS-150	150	162	200	1.0
SPGS-200	200	212	200	1.0

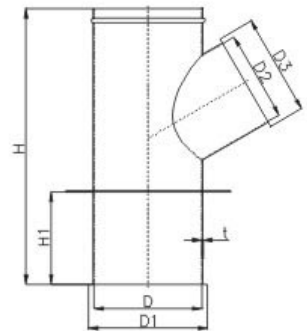
Sifter Stand (SS) Sifter Inlet (SIN)

- Cold rolled steel sheet, outer surface with powder coat, inside with nontoxic wearable lining.
- Stainless steel sheet, mirror finish
- Size other than those listed are also available



Sifter Stand (SS)

Attached under a sifter to allow connection of a cloth tube. A cap is attached to the inspection port

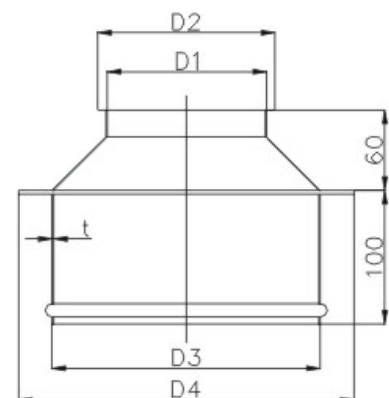


Dimension Product code	D	D1	D2	D3	H	H1	t
SS-120	120	132	100	112	325	125	1.0
SS-150	150	162	100	112	325	125	1.0
SS-200	200	212	100	112	325	125	1.0



Sifter Inlet (SIN)

Attached over a sifter for a connection of a cloth tube



Dimension Product code	D	D2	D3	D4	t
SIN-120	120	132	200	262	1.0
SIN-150	150	162	200	262	1.0
SIN-200	200	212	200	262	1.0